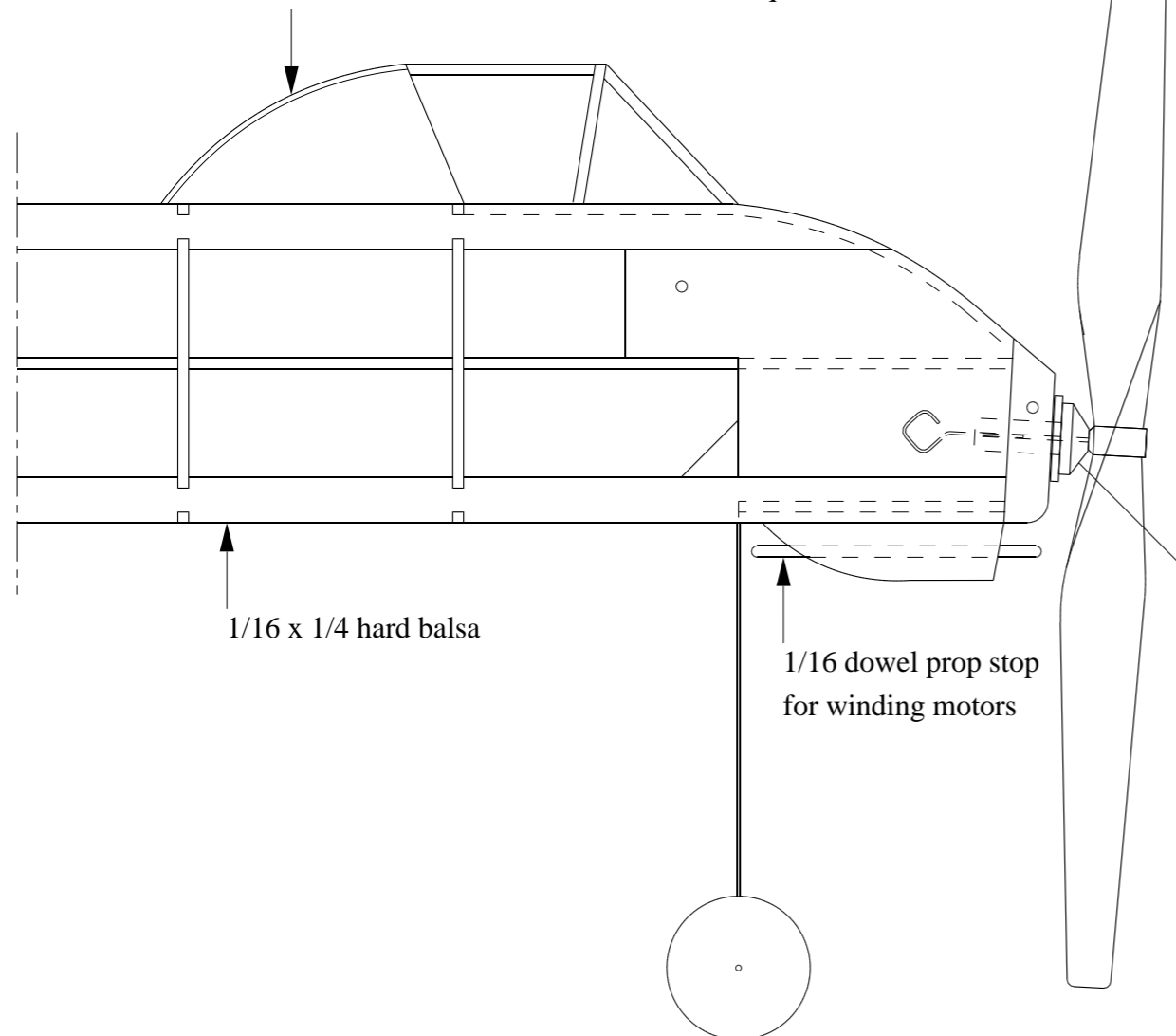
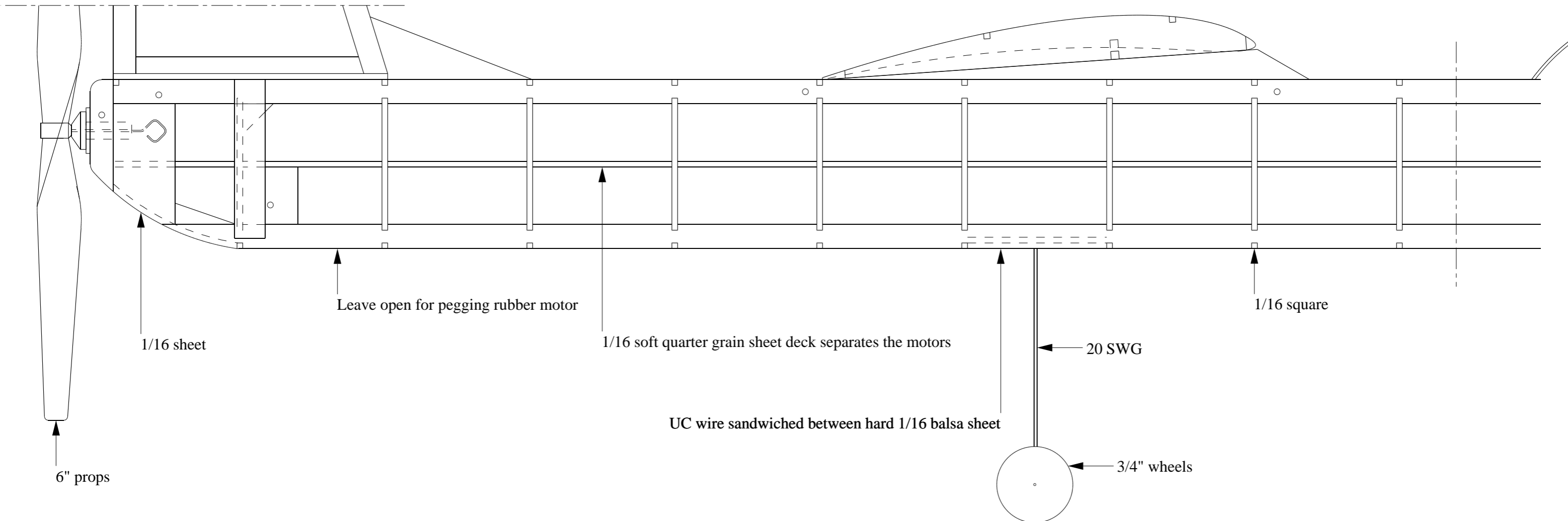
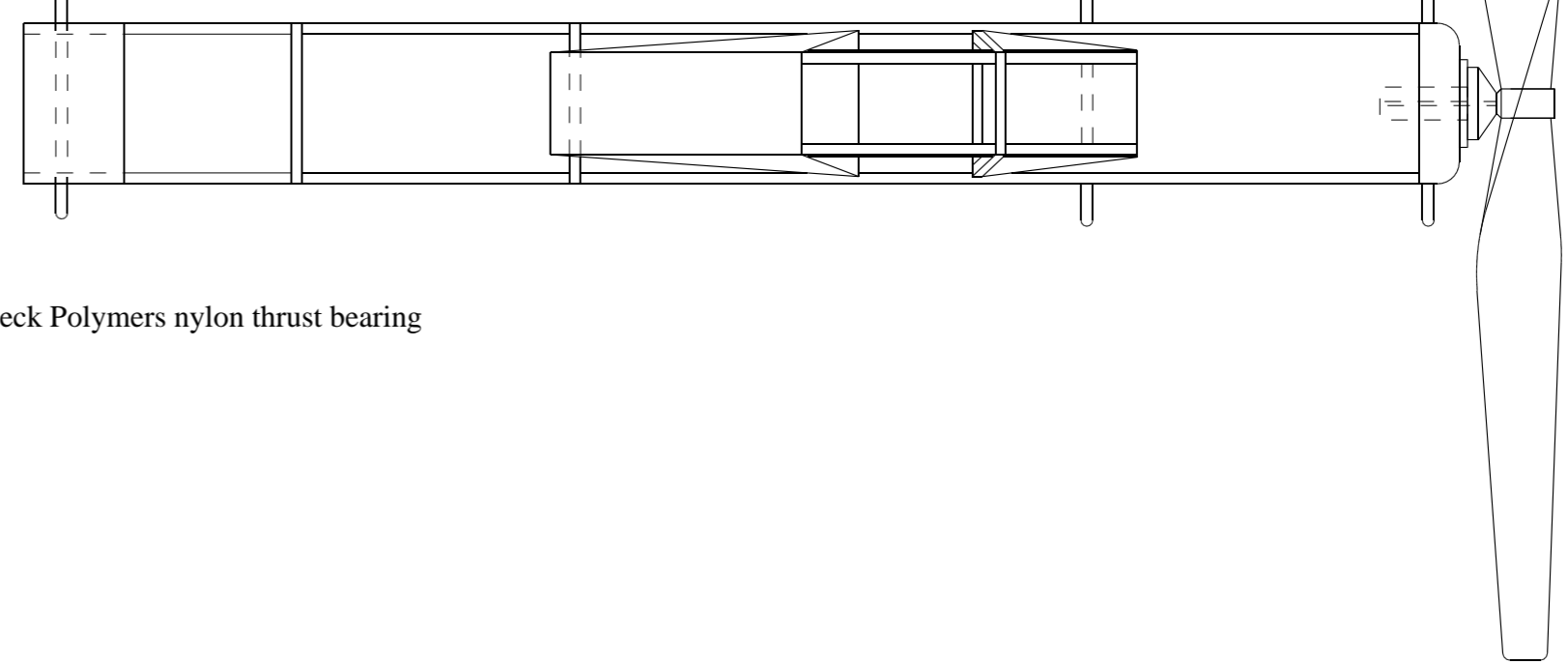
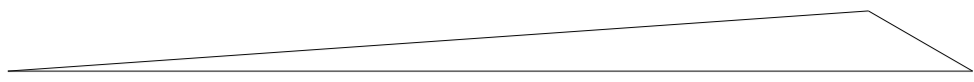


Make cabin from 1/32 sheet and 1/16 square balsa

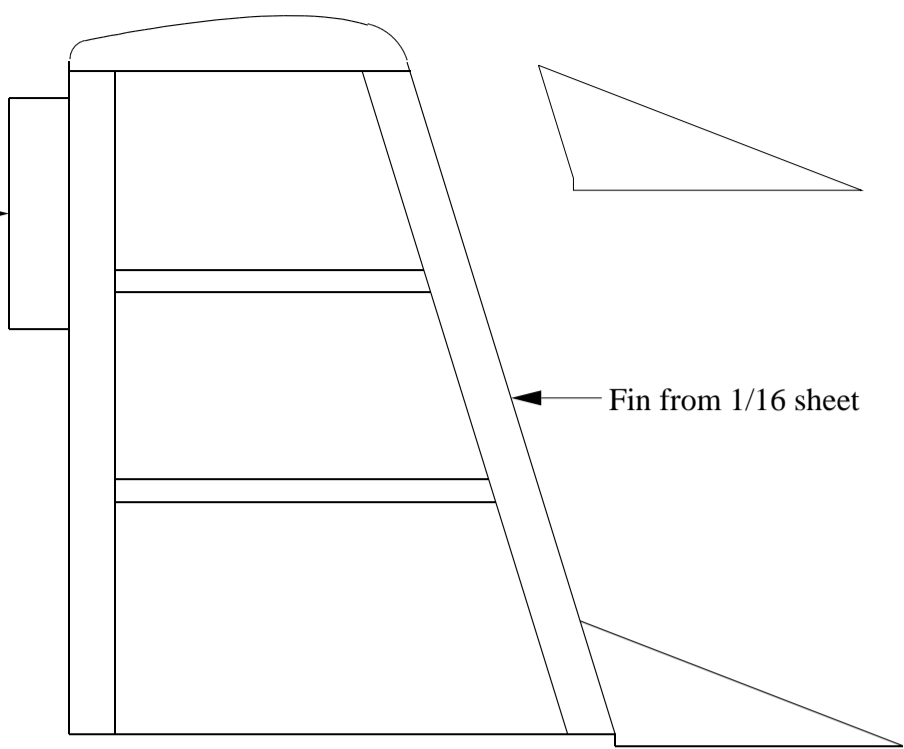


Cocktail stick dowels and rubber bands retain nose blocks





Stiff paper trim tab

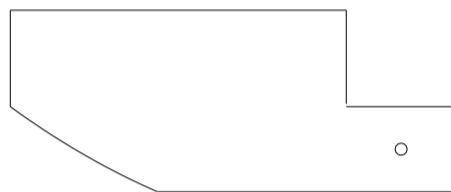


Fin from 1/16 sheet

1 1/2" dihedral



1/16 ribs



3/23 x 1/4 trailing edge

1/16 square

3/32 square

3/32 square lower spar

